



J-TECH DIGITAL®

USER MANUAL



HDMI 2.0 AUDIO EXTRACTOR W/ DOWNMIX
JTD-643 | JTECH-EXD2



J-TECH DIGITAL INC
12803 PARK ONE DRIVE
SUGAR LAND, TX 77478
TEL: 1-888-610-2818

E-MAIL: SUPPORT@JTECHDIGITAL.COM

Thank you for purchasing this product

For optimum performance and safety, please read these instructions carefully before connecting, operating or adjusting this product. Please keep this manual for future reference.

Surge protection device recommended

This product contains sensitive electrical components that may be damaged by electrical spikes, surges, electric shock, lightning strikes, etc. Use of surge protection systems is highly recommended in order to protect and extend the life of your equipment.

Table of Contents

1. Introduction.....	1
2. Features.....	2
3. Package Contents.....	3
4. Specifications.....	3
5. Operation Controls and Functions.....	5
5.1. Front Panel.....	5
5.2. Rear Panel.....	6
6. Application Example.....	7

1. Introduction

The JTECH-EXD2 HDMI 18Gbps Audio Extractor can extract audio signals from any HDMI compliant source to digital optical or analog stereo L/R audio outputs. For maximum flexibility, this audio extractor also supports bitstream audio down-mix to analog stereo output and keeps optical and HDMI out audio pass-through. Further, both input and output HDMI support video resolutions up to 4K 60Hz (YUV444). The JTECH-EXD2 supports 10bit HDR (High Dynamic Range) pass through and HDMI high resolution digital audio formats; LPCM 2CH, Dolby TrueHD, Dolby Digital Plus, Dolby Atmos and DTS-HD Master Audio. HDCP 2.2 and CEC bypass are supported.



Manufactured under license from Dolby Laboratories. Dolby and the double-D symbol are trademarks of Dolby Laboratories.



For DTS patents, see <http://patents.dts.com>. Manufactured under license from DTS Licensing Limited. DTS, the Symbol, DTS and the Symbol together, and Digital Surround are registered trademarks or trademarks of DTS, Inc. in the United States and/or other countries. © DTS, Inc. All Rights Reserved.

2. Features

- ☆ HDMI 2.0b (18Gbps) | HDCP 2.2 and DVI Compliant
- ☆ Video Resolutions up to 4K@60Hz (YUV444)
- ☆ Extracts HDMI Audio to Optical (SPDIF) or L/R analog audio
- ☆ HDMI Input Audio Pass-Thru to HDMI and Optical Audio Outputs
- ☆ Supports Bitstream Audio Downmix to L/R Analog Output
- ☆ Optical Audio Supports LPCM 2CH | Dolby Digital 5.1CH | DTS 5.1CH
- ☆ Supports HDMI High Bit Rate (HBR) Audio Pass-Thru
- ☆ Audio Sample Rates up to 96kHz
- ☆ 10-bit HDR (High Dynamic Range) Pass-Thru
- ☆ Supports CEC Pass-Thru

3. Package Contents

- ① 1× JTECH-EXD2 Audio Extractor
- ② 1× 5V/1A Power Adapter
- ③ 1× User Manual

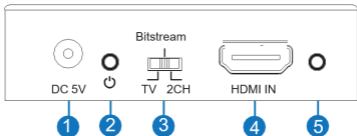
4. Specifications

Technical	
HDMI Compliance	HDMI 2.0b
HDCP Compliance	HDCP 2.2 and HDCP 1.4
Video Bandwidth	18Gbps
Video Resolutions	Up to 4K2K@50/60Hz(YUV4:4:4), 4K2K@30Hz, 1080P@120Hz, and 1080P 3D@60Hz
Color Space	RGB, YCbCr 4:4:4, YCbCr 4:2:2
Color Depth	10-bit 12-bit
HDMI Audio Formats (Pass-through)	LPCM 2/5.1/7.1CH ,Dolby Digital, DTS 5.1, Dolby Digital+, Dolby TrueHD, DTS-HD Master Audio, Dolby Atmos, DTS:X
Optical Audio Formats	LPCM 2CH, Dolby Digital 2/5.1 CH, DTS 2/5.1CH
L/R Audio Formats	Analog Stereo 2CH
ESD Protection	Human body model — ±8kV (air-gap discharge) & ±4kV (contact discharge)

Connections	
Inputs	1x HDMI Type A [19-pin female]
Outputs	1x HDMI Type A [19-pin female] 1x L/R Audio Out [RCA] 1x Optical Out [S/PDIF]
Mechanical	
Housing	Metal Enclosure
Color	Black
Dimensions	2.89 in [W] x 2.39 in [D] x 0.79 in[H]
Weight	0.30 lbs.
Power Supply	Input: AC100 - 240V 50/60Hz Output: DC 5V/1A (US/EU standards, CE/FCC/UL certified)
Power Consumption	1.25W (Max)
Operation Temperature	32 - 104°F / 0 - 40°C
Storage temperature	-4 - 140°F / -20 - 60°C
Relative Humidity	20 - 90% RH (no condensation)

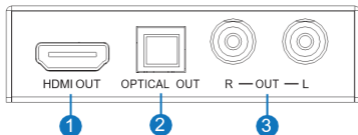
5. Operation Controls and Functions

5.1 Front Panel



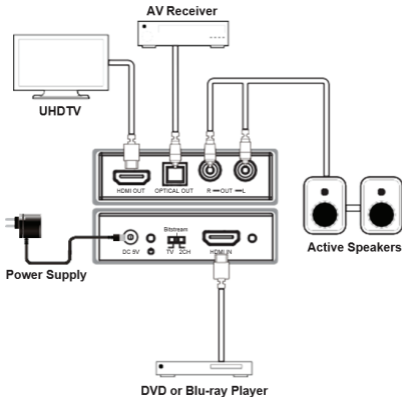
Number	Name	Function Description
1	DC 5V	Connect 5V/1A adapter to AC wall outlet for power supply
2	Power LED	Power Status LED Indicator
3	EDID Toggle	TV – Pass-Thru TV's EDID Bitstream – Provide 5.1ch Audio Format EDID 2CH – Provide 2CH Audio Format EDID
4	HDMI IN	HDMI Video Input Port
5	Status LED	Red Illuminate: PCM decoder or no signal Red Blinking: Dolby decoder Green Blinking: DTS decoder

5.2 Rear Panel



Number	Name	Function Description
1	HDMI OUT	HDMI Output Port
2	OPTICAL Out	Toslink Digital Audio Output Port
3	R/L OUT	Stereo RCA Analog Audio Output Port

6. Application Example





WWW.JTECHDIGITAL.COM

PUBLISHED BY J-TECH DIGITAL, INC.

12803 PARK ONE DRIVE

SUGAR LAND, TX 77478