



Website: [www.jtechdigital.com](http://www.jtechdigital.com)  
Toll Free: 1-888-610-2818  
Email: [support@jtechdigital.com](mailto:support@jtechdigital.com)

## USER MANUAL

---

J-Tech Digital® Premium Quality SDI 1x8 Splitter  
Model: JTDSDI0108



# Table Of Contents

<b>1.0 Introduction .....</b>	<b>01</b>
<b>2.0 Feature.....</b>	<b>01</b>
<b>3.0 Specification.....</b>	<b>02</b>
<b>4.0 Package Content.....</b>	<b>02</b>
<b>5.0 Panel Description.....</b>	<b>03</b>
<b>6.0 Connecting and Operating.....</b>	<b>03</b>

## 1.0 INTRODUCTION

---

This 1x8 SDI splitter distributes one SDI signal to 8 simultaneous SDI outputs. It supports full range of SDI signal formats including 3G-SDI, HD-SDI, SD-SDI with easy operation and high reliability. Using broadcast quality processing technology, it delivers high definition, lossless and lag-free distribution. This splitter can be widely used in SDI broadcast room, non-linear editing field, CCTV security system and training showroom etc.

## 2.0 FEATURE

---

- Features equalizer circuit on the input and outputs, allowing it to support long cable runs
- Support multiple video resolution:
  - SD 525i and 625i
  - HD 720p@24, 25, 30, 50 and 60 Hz
  - HD 1080i@50, 60 Hz
  - HD 1080p@24, 25, 30, 50 and 60 Hz
- Support multiple color space:
  - RGB or YCbCr 4:4:4 sampled
  - YCbCr 4:2:2 or 4:2:0 sampled

- Support wide range of data rates: 270Mbps~2.97Gbps.
- Support multiple deep color:8bit- 10bit、 12bit.

## 3.0 SPECIFICATION

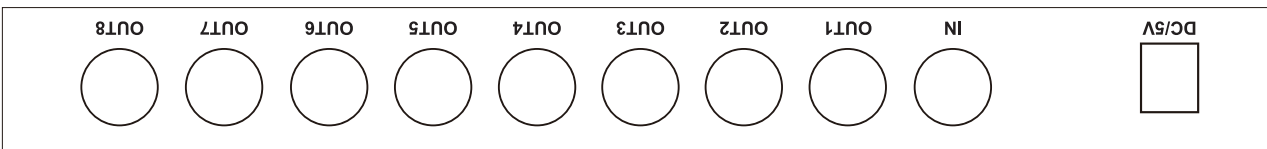
Input Connector	1x SDI BNC Male
Output Connector	8x SDI BNC Male
Supported Cable Length (BELDEN 1694A)	3G Mode: up to100m
	HD Mode: 200m
	SD Mode: 400m
Limited Warranty	1 Year Parts and Labor
Operating Temperature	0°C to 70°C
Operating Humidity	10% to 85 % RH (no condensation)
Storage Temperature	-10°C to +80°C
Storage Humidity	5% to 90% RH (no condensation)
Power Supply	5V DC@2A
Power Consumption(MAX)	1.2W
Splitter Unit Cert	FCC.CE, RoHS
Power Supply Cert	FCC, RoHS,CE,UL
User Manual	English Version

**Note: Specification is subject to change without notice.**

## 4.0 PACKAGE CONTENT

1) Main unit.....	1PC
2) Power adapter 5V@2A.....	1PC
3) User Manual.....	1PC

## 5.0 PANEL DESCRIPTION



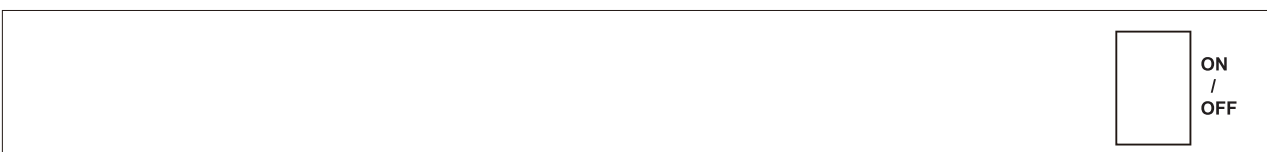
J-Tech Digital® Premium Quality  
SDI 1X8 Splitter



**J-TECH DIGITAL®**

1080p  
**Full HD**

Model: JTDSDI0108

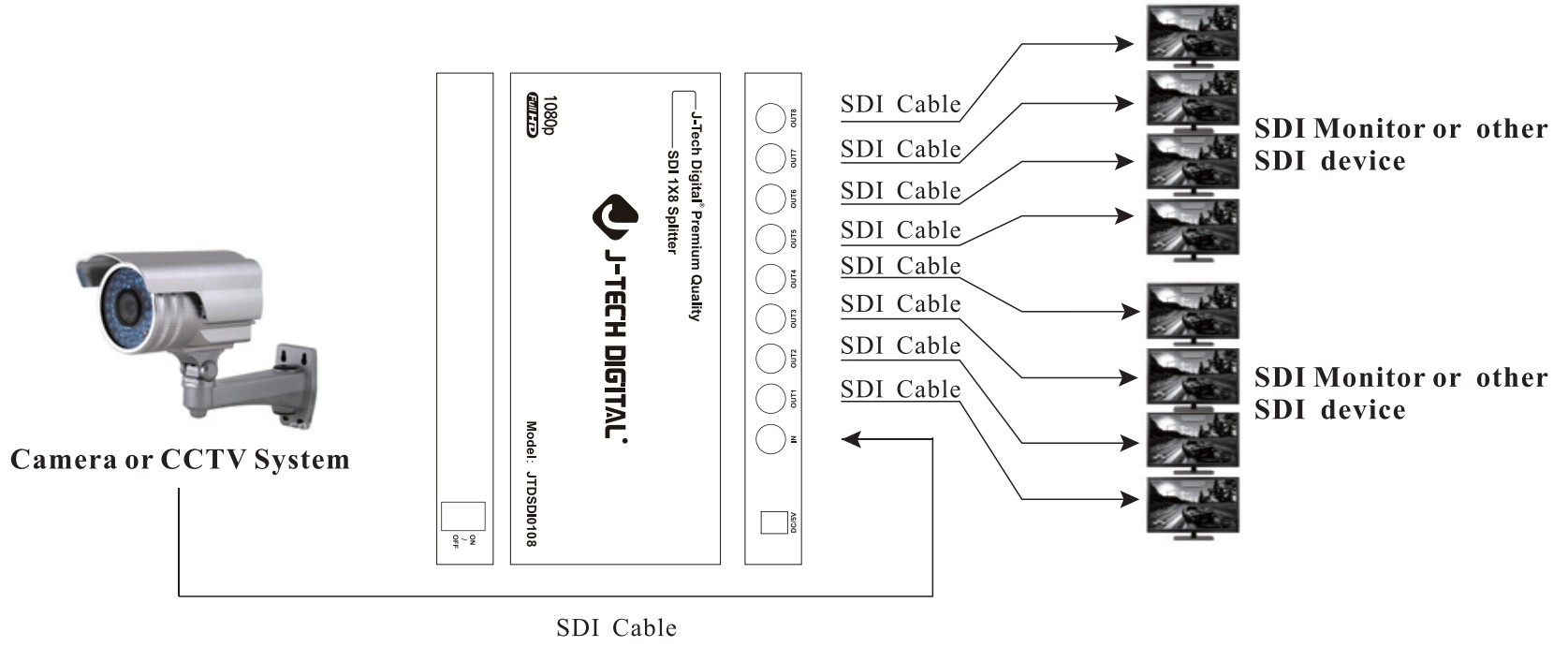


## 6.0 CONNECTING AND OPERATION

---

- (1) Connect the product to appropriate power;
- (2) Connect the SDI signal to the IN through 75Ω coaxial cable of high quality (BELDEN 1694A cable or equivalents as well);
- (3) Connect the SDI monitor or other SDI devices to the “OUT1” (“OUT2”, “OUT3”, “OUT4”, “OUT5”, “OUT6”, “OUT7”, “OUT8”) through 75Ω coaxial cable.
- (4) Operate the SDI signal to start the show.

# 6.1 CONNECTION DIAGRAM





Scan this QR code using your smartphone to view the full J-Tech Digital Product Lineup!



Have more questions? Scan this QR code using your smartphone to contact us!



[www.jtechdigital.com](http://www.jtechdigital.com)

J-Tech Digital®  
12803 Park One Drive  
Sugar Land, TX 77478

- Product pictures are for reference only.
- Specifications, pictures & software described herein are subject to change without prior notification.
- Only use the provided power supply when operating this unit. J-Tech Digital® is not responsible for any damage due to customer neglect.
- All trademarks are the sole property of their respective companies.
- Copyright ©J-Tech Digital, Inc. All rights reserved.