



Website: www.jtechdigital.com

Toll Free: 1-888-610-2818

Email: support@jtechdigital.com

USER MANUAL

J-Tech Digital® 3 Port HDMI2.0 HDR Switch

Model: JTECH-18GSW3



Dear customer

Thank you for purchasing this product. For optimum performance and safety, please read these instructions carefully before connecting, operating or adjusting this product. Please keep this manual for future reference.

Our series of converters, switchers, extenders, matrixes and splitters are designed to make your A/V device use more convenient, more comfortable, more productive and more cost-efficient.

The device can switch three HDMI Inputs to one HDMI output, it can easily switch three routes of UHD source to any one UHD display or projector.

Our devices offer solutions for noise, space and security concerns, data center control, information distribution, conference room presentation, school and corporate training environments.

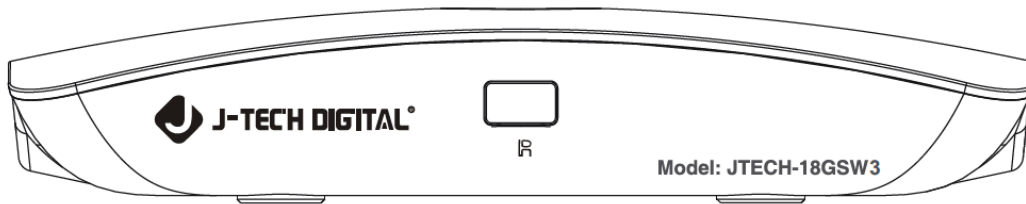
Feature :

- Three HDMI Inputs switch to one HDMI output
- Support 4K@60Hz UHD signal input and output.
- Support remote control and HDMI auto switch.
- Support auto switch turn on & turn off
- Hidden indicate light brings the new using experience
- Total all new simple outlook design
- In 4K@60Hz HDMI UHD resolution, HDMI input and output distance can be up to 5m using the AWG26 standard HDMI cable. In other HDMI resolution, HDMI input and output distance can be up to 8m using the AWG26 standard HDMI cable.
- Easy-install

Accessories content:

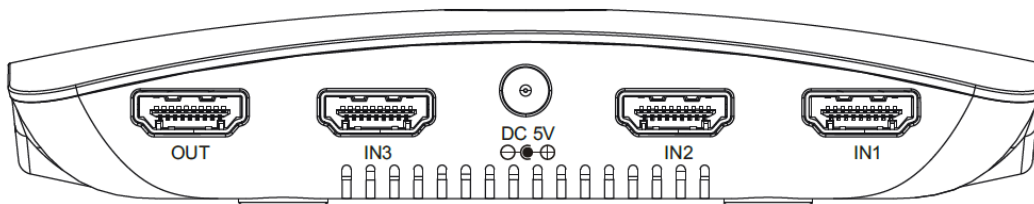
1. Manual
2. Remote
3. USB to DC 5.5mm power cable

Picture 1.0 front panel showing



IR : Remote IR window port.

Picture 1.1 rear panel showing

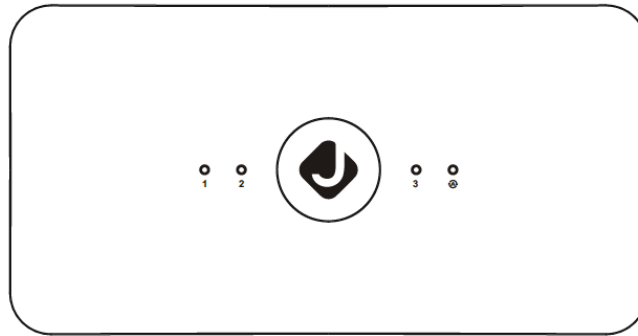


In1, IN2, IN3: HDMI input one, two, three port

DC 5V: 5V DC port

OUT: HDMI output port

Picture 1.2 top panel showing

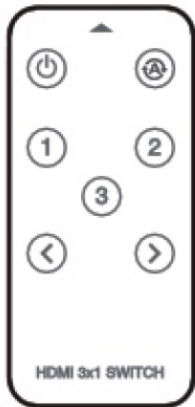


1, 2, 3: HDMI input channel one two three LED status light

Ⓐ: Auto switch function status light, when light goes bright, the function is open.

Select: HDMI input channel select button

Remote button function showing



⏻ :Standby button/Start button: When the device is working normally, if press the button, the device will go into standby state and the matched LED light will go dark;If press again, the device will go into start state and the matched LED light will go bright.

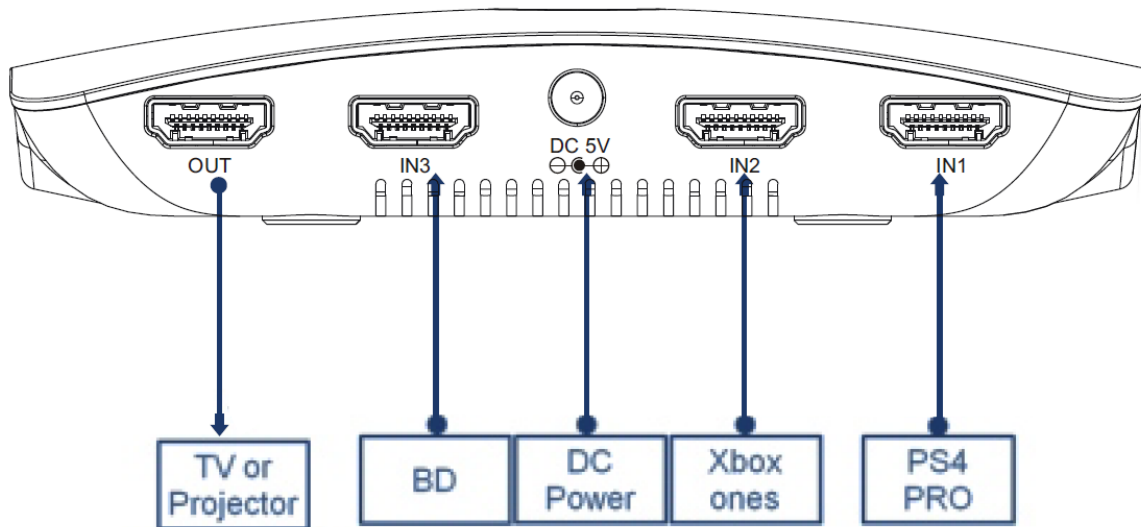
Ⓐ :Auto switch turn on/turn off button: The device auto switch is default at active state, if press the button, the auto switch will be turned off; If press again the button, the auto switch will be turned on.

1, 2, 3, : HDMI input channel switch button. When you press the “1” button, the device will goes to the matched input 1 channel.

<>:HDMI input channel switch button: if you press“ < ”button ,the input channel switch according to clockwise. If you press “ > ”button ,the input channel switch counterclockwise.

* Pls take out the film at the rear of the remote before you use. Pls insert the film to remote rear if you do not use the remote for long time.

Connection and operation:



- 1.To use HDMI cable to connect the HD source with the HDMI input port of device.
- 2.To use HDMI cable to connect the HDMI output port of device with the display.
- 3.To use the USB 2.0 to DC 5.5MM power cable to connect the DC5V port of the device with USB power source like TV or USB power docking.
- 4.Then press again the select button at device or press the button at remote to operate the device.

Spec:

JTECH-18GSW3

HDMI resolution.....	24/50/60fs/2160P/1080P/1080i/720p/576p/576i/480P/480i
Deep color.....	24/30/36bit/1080P/1080i/720p/576p/576i/480P/480i,24bit/2160P
HDMI in/out supported audio format.....	DTS-HD/Dolby-trueHD/LPCM7.1/DTS/Dolby-AC3
HDMI channel max bandwidth.....	600MHz
Input / Output DDC signal.....	5Vp-p(TTL)
Remote control distance.....	≥4m

HDMI input cable length.....	≤5m AWG26 HDMI standard cable
HDMI output cable length.....	≤5m AWG26 HDMI standard cable
Max working current.....	450mA
Working temperature range.....	(-0 to +40°C)
Working humidity range.....	5 to 85%RH (No Condensation)
Storage remperature.....	-15 to 55°C
Storage humidity.....	5 ~95%RH(No Condensation)
Size.....	138.7x71.6x26.5 (mm)
Weight.....	105g

Notes

Pls use the machine as the instruction listed to keep the long use life time of the machine.

- 1.The machine should be placed at the spot far from the damp, high-temperature, dusty, drosive, and oxidative environment.
- 2.All parts will be free from the strong shake, hit, fall.
- 3.Touching the power adaptor with the wet hands is prohibited.
- 4.Pls hold the power adaptor head and do not pull the power cord when cut off from the socket.
- 5.Pls turn the power off when the machine is not used for long time.
- 6.Pls do not open the cover and do not touch the inside parts.
- 7.Pls use the original factory power adaptor.
- 8.It does not support the conversion between DVI and HDMI signal pls use your signal source and display following the correct process.

Before power on, pls check the connection line carefully. and make sure that all interfaces are normally connected. the common trouble shooting way shows below:

Serial no	Trouble description	Cause and ways to deal with
1	Non-power-connected	<ol style="list-style-type: none"> 1、 Check the HD source is truly and correctly inserted. 2、 Check the HD source is in on status.
2	No picture	<ol style="list-style-type: none"> 1、 Pls to make sure that the TV is on and has been connected with the machine,. 2、 To check if the signal source is on and well connected. 3、 Check the system connection quality. 4、 Check if the line is all good quality. 5、 Check the cable quality.
3	Obscure picture	<ol style="list-style-type: none"> 1、 To try again to connect the cable to be free from the unsuccessful connection. 2、 HDMI cable quality
4	No sound	<ol style="list-style-type: none"> 1、 Please confirm the setting position of audio mode switch
5	Remote	<ol style="list-style-type: none"> 1、 Pls check if the film that stops the current has been taken out. 2、 To check if the remote battery is working wel



Scan this QR code using your smartphone to view the full J-Tech Digital Product Lineup!



Have more questions? Scan this QR code using your smartphone to contact us!



www.jtechdigital.com

J-Tech Digital®
12803 Park One Drive
Sugarland, TX 77478

- Product pictures are for reference only.
- Specifications, pictures & software described herein are subject to change without prior notification.
- Only use the provided power supply when operating this unit. J-Tech Digital® is not responsible for any damage due to customer neglect.
- All trademarks are the sole property of their respective companies.
- Copyright ©J-Tech Digital, Inc. All rights reserved.