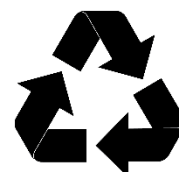




Website: www.jtechdigital.com
Toll Free: 1-888-610-2818
Email: support@jtechdigital.com

USER MANUAL

J-Tech Digital® Multi-Resolution Output (MRO) 1x2 HDMI Splitter
Model: JTECH-18GSP12M



Introduction

Thank you for purchasing this product. J-Tech Digital products offer cost effective AV solutions to any scenario, including security, home, commercial and live applications.

The JTECH-18GSP12M Splitter is an MRO (Multi-Resolution Output) splitter and can support various resolutions to the two HDMI outputs. With 3 different EDID settings, you have the option of copying the EDID settings from your display for compatibility assurance, mixing the output resolutions allowing for the combination of 4K and standard definition displays, and a fixed setting to distribute a 4K video signal to 2 displays. This MRO splitter is perfect for users that are gradually upgrading their entertainment centers and need a device that supports 4K and 1080p or 720p, allowing for the integration of brand new displays while still making use of legacy displays.

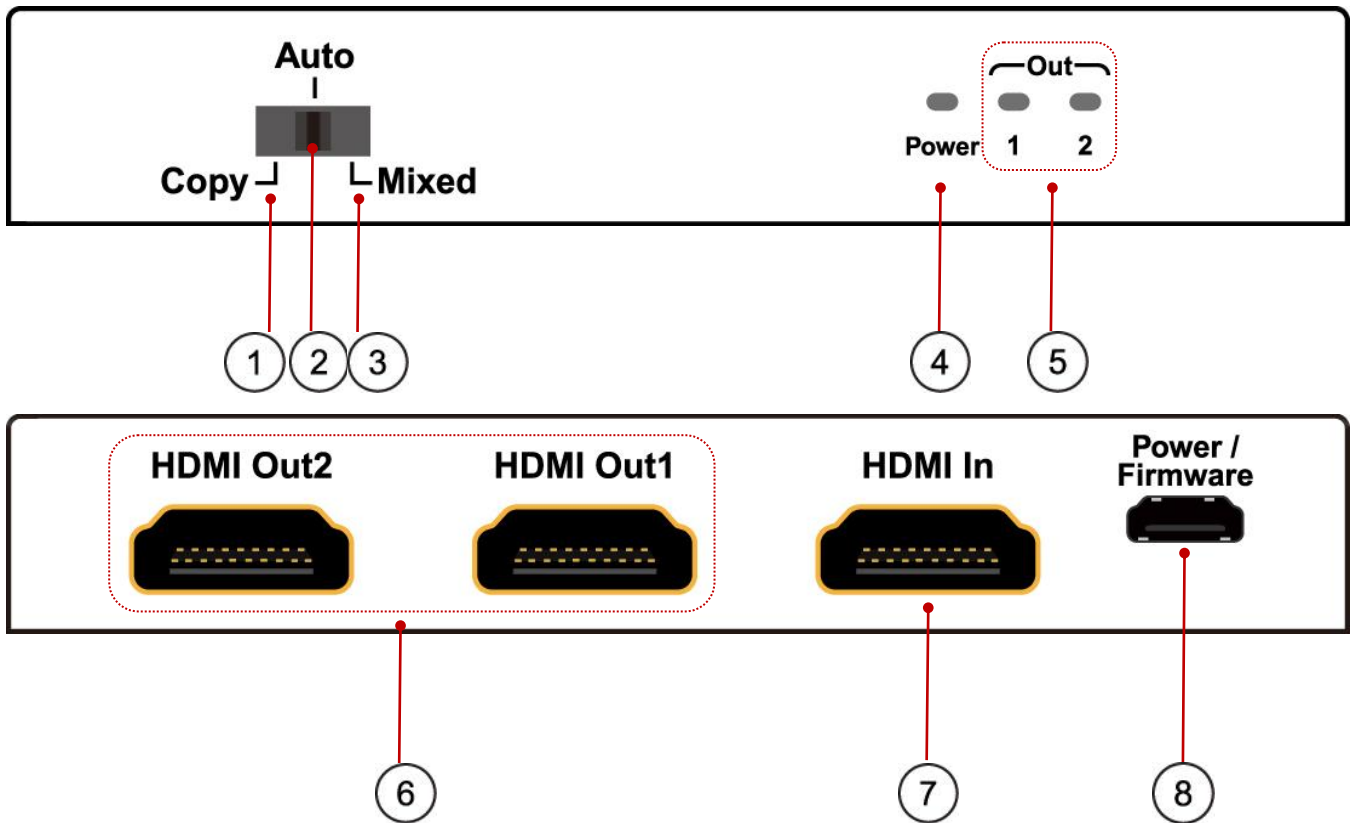
Features

- Simultaneously displays an Ultra Hi-Def source on to two Ultra-HD displays
- Resolutions up to Ultra-HD 4Kx2K(3840x2160@60Hz YUV 4:4:4)
- Can downscale 4K signals to 1080p signals (Depending on HDCP version of connected display)
- 3 different EDID modes
- HDCP2.2/1.4 Compliant
- LPCM 7.1, Dolby TrueHD®, Dolby Digital+®, Dolby Atmos® and DTS-HD Master Audio®
- Supports 3-D and 36-bit Deep Color
- CEC passthrough on output port 1
- Bandwidth 18Gbps
- HDR-10
- Firmware upgrades available via Micro-USB Port

Package Contents

- 1 x HDMI Splitter
- 1 x 5V/1A DC Adapter
- 1 x User Manual

Panel Description



- ① Switch to “Copy EDID” Mode
- ② Switch to “Auto EDID” Mode
- ③ Switch to “Mixed EDID” Mode
- ④ Power Status LED Indicator
- ⑤ HDMI Output Status LED indicator
- ⑥ HDMI Output Ports
- ⑦ HDMI Input Port
- ⑧ Power / Firmware Micro-USB Port

Installation

For optimal performance, please read these instructions carefully.

- 1) Connect the HDMI input source to input port of HDMI splitter.
- 2) Connect the HDMI splitter output ports to the displays.
- 3) Power up splitter, source and displays.

EDID Operation

Copy EDID: Output 1 is priority port

- a. When output 1 is connected to one display, another display which connected to output 2 will follow the Resolution of output 1
- b. When output 1 is disconnected, output 2 will output 4K@60Hz

Auto: Default 4K@60Hz on all outputs

Mixed EDID: always follow the lowest resolution of the displays connected to 2 outputs in order to support all displays show the source.

Specifications

Operating Temperature Range.....	-5°C - 40°C (23°F - 104°F)
Operating Humidity Range.....	5 to 90% RH (No Condensation)
Bandwidth Frequency.....	18 Gbps
HDCP Compliance.....	Up to HDCP 2.2
Input Ports.....	1 x HDMI Female
Output Ports.....	2 x HDMI Female
Max. Output Resolution & Refresh Rate.....	3840 x 2160 @ 60Hz YUV 4:4:4
Dimensions (L x W x H).....	93.6mm x 61mm x 15mm
Power Consumption.....	1W (Max)
Transmission Distance.....	10M (Max) over Standard 24AWG HDMI Cable
Net Weight.....	120 g



Scan this QR code using your smartphone to view the full J-Tech Digital Product Lineup!



Have more questions? Scan this QR code using your smartphone to contact us!



www.jtechdigital.com

J-Tech Digital®
12803 Park One Drive
Sugar Land, TX 77478

- Product pictures are for reference only.
- Specifications, pictures & software described herein are subject to change without prior notification.
- Only use the provided power supply when operating this unit. J-Tech Digital® is not responsible for any damage due to customer neglect.
- All trademarks are the sole property of their respective companies.
- Copyright ©J-Tech Digital, Inc. All rights reserved.